

Fluid Cooling Shell & Tube EC Series



200 East Big Beaver Road
Troy, MI 48083
P: (248) 752-2620
E: Sales@oemsalesinc.com

COPPER & STEEL CONSTRUCTION

Performance Notes

- Rugged steel shell construction
- 3/8" tube size
- Larger shell diameter than EK, 8.50" maximum diameter
- High flow capacity & performance
- High efficiency finned bundle design
- End bonnets removable for easy tube cleaning
- Mounting brackets included – may be rotated for simple installation
- NPT, SAE, BSPP or flange connections



OPTIONS

Patented built-in Surge-Cushion® bypass
Type 316 stainless steel or 90/10 copper-nickel components



Ratings

Maximum Operating Pressure - Shell Side
300 PSI

Maximum Operating Pressure - Tube Side
150 PSI

Maximum Operating Temperature
300°F

Materials

Shell Steel
 Tubesheets Steel
 Tubes Copper
 Baffles Steel
 Mounting Brackets Steel
 Gaskets Nitrile rubber/cellulose fiber
 Fins Aluminum
 End Caps Grey iron
 Nameplate Aluminum foil

Optional Surge-Cushion®

The **Surge-Cushion®** is a patented protective device designed to internally bypass a portion of the oil flow during cold start conditions, or when sudden flow surges temporarily exceed the maximum flow allowed for a given cooler. This device may replace an external bypass, but it is not intended to bypass the total oil flow.

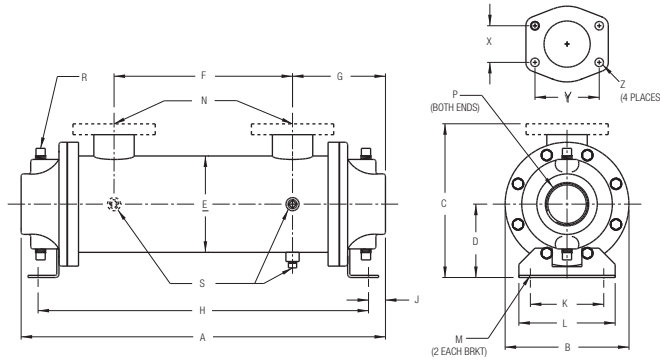
How to Order

<input type="text"/>	-	<input type="text"/>	-	<input type="text"/>	-	<input type="text"/>	-	<input type="text"/>	-	<input type="text"/>	-	<input type="text"/>	-	<input type="text"/>		
Model Series		Model Size Selected		Baffle Spacing		 Tubeside Passes		 Surge Cushion		 Cooling Tube Material		 End Bonnet Material		 Tubesheet Material		 Zinc Anodes
EC ECS ECM ECF ECFM						O - One Pass T - 2 Pass F - 4 Pass		Blank - None R - Surge Cushion		Blank - Copper CN - CuNi SS - 316 Stainless Steel		Blank - Cast Iron B - Bronze SB - 316 Stainless Steel		Blank - Steel W - CuNi S - 316 Stainless Steel		Blank - None Z - Zinc Anodes

EC = NPT Oil connections; NPT Water connections.
ECS = SAE O-Ring Oil connections; NPT Water connections.
ECM = BSPP Oil connections; BSPP Water connections.
ECF = SAE 4 Bolt Flange (Tapped SAE) Oil connections; NPT Water connections.
ECFM = SAE 4 Bolt Flange (Tapped Metric) Oil connections; BSPP Water connections.

Dimensions

One Pass

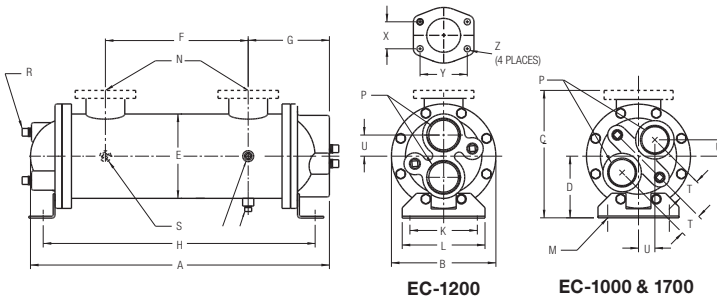


SAE Flange Size	X	Y	Z
1½	1.41	2.75	1/2 - 13
2	1.69	3.06	UNC-2B
3	2.44	4.19	5/8 - 11 UNC 2B

Model	A	B Diameter	C		D	E Diameter	F	G	H	J	K	L	M	N		P NPT BSPP	R NPT BSPP	S NPT BSPP
			NPT/BSPP SAE O-Ring	SAE Flange										NPT/BSPP Flange	SAE O-Ring			
EC-1014	20.22	6.75	7.75	8.00	4.00	5.25	10.12	5.05	18.38	.92	4.00	5.25	.50 x .75 Slot	1½	#24 SAE	2	(4) 3/8	(3) 3/8
EC-1024	30.22	6.75	7.75	8.00	4.00	5.25	20.12	5.05	28.38	.92	4.00	5.25		1½	#24 SAE	2	(4) 3/8	(3) 3/8
EC-1036	42.22	6.75	7.75	8.00	4.00	5.25	32.12	5.05	40.38	.92	4.00	5.25		1½	#24 SAE	2	(4) 3/8	(3) 3/8
EC-1054	60.22	6.75	7.75	8.00	4.00	5.25	50.12	5.05	58.32	.92	4.00	5.25		1½	#24 SAE	2	(4) 3/8	(3) 3/8
EC-1224	30.72	7.75	8.75	9.38	4.50	6.25	18.97	5.87	27.84	1.43	5.00	6.25		2	#32 SAE	3	(4) 3/8	(3) 3/8
EC-1236	42.72	7.75	8.75	9.38	4.50	6.25	30.97	5.87	39.84	1.43	5.00	6.25		2	#32 SAE	3	(4) 3/8	(3) 3/8
EC-1254	60.72	7.75	8.75	9.38	4.50	6.25	48.97	5.87	57.84	1.43	5.00	6.25		2	#32 SAE	3	(4) 3/8	(3) 3/8
EC-1272	78.72	7.75	8.75	9.38	4.50	6.25	66.97	5.87	75.84	1.43	5.00	6.25	2	#32 SAE	3	(4) 3/8	(3) 3/8	
EC-1724	33.22	10.50	11.50	12.50	5.75	8.50	18.75	7.23	28.81	2.25	7.00	8.25	.62 x .88 Slot	3	N/A	4	(4) 3/8	(3) 3/8
EC-1736	45.22	10.50	11.50	12.50	5.75	8.50	30.75	7.23	40.81	2.25	7.00	8.25		3	N/A	4	(4) 3/8	(3) 3/8
EC-1754	63.22	10.50	11.50	12.50	5.75	8.50	48.75	7.23	58.81	2.25	7.00	8.25		3	N/A	4	(4) 3/8	(3) 3/8
EC-1772	81.22	10.50	11.50	12.50	5.75	8.50	66.75	7.23	76.81	2.25	7.00	8.25		3	N/A	4	(4) 3/8	(3) 3/8
EC-1784	93.22	10.50	11.50	12.50	5.75	8.50	78.75	7.23	88.81	2.25	7.00	8.25		3	N/A	4	(4) 3/8	(3) 3/8

NOTE: All dimensions in inches. We reserve the right to make reasonable design changes without notice.

Two Pass



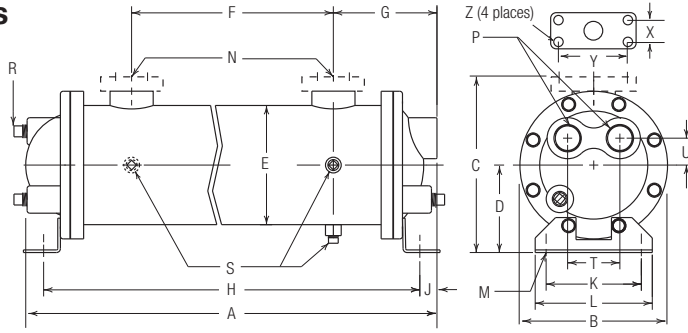
SAE Flange Size	X	Y	Z
1½	1.41	2.75	1/2 - 13
2	1.69	3.06	UNC-2B
3	2.44	4.19	5/8 - 11 UNC 2B

Model	A	B Diameter	C		D	E Diameter	F	G	H	J	K	L	M	N		P NPT BSPP	R NPT BSPP	S NPT BSPP	T	U
			NPT/BSPP SAE O-Ring	SAE Flange										NPT/BSPP Flange	SAE O-Ring					
EC-1014	19.75	6.75	7.75	8.00	4.00	5.25	10.12	5.05	18.38	.92	4.00	5.25	.50 x .75 Slot	1½	#24 SAE	1½	(4) 3/8	3/8	1.50	1.06
EC-1024	29.75	6.75	7.75	8.00	4.00	5.25	20.12	5.05	28.38	.92	4.00	5.25		1½	#24 SAE	1½	(4) 3/8	3/8	1.50	1.06
EC-1036	41.75	6.75	7.75	8.00	4.00	5.25	32.12	5.05	40.38	.92	4.00	5.25		1½	#24 SAE	1½	(4) 3/8	3/8	1.50	1.06
EC-1054	59.75	6.75	7.75	8.00	4.00	5.25	50.12	5.05	58.32	.92	4.00	5.25		1½	#24 SAE	1½	(4) 3/8	3/8	1.50	1.06
EC-1224	29.75	7.75	8.75	9.38	4.50	6.25	18.97	5.52	27.84	1.00	5.00	6.25		2	#32 SAE	2	(4) 3/8	3/8	—	1.56
EC-1236	41.75	7.75	8.75	9.38	4.50	6.25	30.97	5.52	39.84	1.00	5.00	6.25		2	#32 SAE	2	(4) 3/8	3/8	—	1.56
EC-1254	59.75	7.75	8.75	9.38	4.50	6.25	48.97	5.52	57.84	1.00	5.00	6.25		2	#32 SAE	2	(4) 3/8	3/8	—	1.56
EC-1272	77.75	7.75	8.75	9.38	4.50	6.25	66.97	5.52	75.84	1.00	5.00	6.25	2	#32 SAE	2	(4) 3/8	3/8	—	1.56	
EC-1724	32.37	10.50	11.50	12.50	5.75	8.50	18.75	7.11	28.81	2.08	7.00	8.25	.62 x .88 Slot	3	N/A	2	(4) 3/8	3/8	2.25	1.59
EC-1736	44.37	10.50	11.50	12.50	5.75	8.50	30.75	7.11	40.81	2.08	7.00	8.25		3	N/A	2	(4) 3/8	3/8	2.25	1.59
EC-1754	62.37	10.50	11.50	12.50	5.75	8.50	48.75	7.11	58.81	2.08	7.00	8.25		3	N/A	2	(4) 3/8	3/8	2.25	1.59
EC-1772	80.37	10.50	11.50	12.50	5.75	8.50	66.75	7.11	76.81	2.08	7.00	8.25		3	N/A	2	(4) 3/8	3/8	2.25	1.59
EC-1784	92.37	10.50	11.50	12.50	5.75	8.50	78.75	7.11	88.81	2.08	7.00	8.25		3	N/A	2	(4) 3/8	3/8	2.25	1.59

NOTE: All dimensions in inches. We reserve the right to make reasonable design changes without notice.

Dimensions

Four Pass



SAE Flange Size	X	Y	Z
1½	1.41	2.75	1/2 - 13
2	1.69	3.06	UNC-2B
3	2.44	4.19	5/8 - 11 UNC 2B

Model	A	B Diameter	C		D	E Diameter	F	G	H	J	K	L	M	N		P NPT BSPP	R NPT BSPP	S NPT BSPP	T	U
			NPT/BSPP O-Ring	SAE Flange										NPT/BSPP Flange	SAE O-Ring					
EC-1014	19.87	6.75	7.75	8.00	4.00	5.25	10.12	4.82	18.38	.75	4.00	5.25	.50 x .75 Slot	1½	#24 SAE	1	(3) 3/8	(3) 3/8	2.40	1.20
EC-1024	29.87	6.75	7.75	8.00	4.00	5.25	20.12	4.82	28.38	.75	4.00	5.25		1½	#24 SAE	1	(3) 3/8	(3) 3/8	2.40	1.20
EC-1036	41.87	6.75	7.75	8.00	4.00	5.25	32.12	4.82	40.38	.75	4.00	5.25		1½	#24 SAE	1	(3) 3/8	(3) 3/8	2.40	1.20
EC-1054	59.87	6.75	7.75	8.00	4.00	5.25	50.12	4.82	58.32	.92	4.00	5.25		1½	#24 SAE	1	(3) 3/8	(3) 3/8	2.40	1.20
EC-1224	29.87	7.75	8.75	9.38	4.50	6.25	18.97	5.44	27.84	1.00	5.00	6.25		2	#32 SAE	1½	(3) 3/8	(3) 3/8	2.82	1.41
EC-1236	41.78	7.75	8.75	9.38	4.50	6.25	30.97	5.44	39.84	1.00	5.00	6.25		2	#32 SAE	1½	(3) 3/8	(3) 3/8	2.82	1.41
EC-1254	59.78	7.75	8.75	9.38	4.50	6.25	48.97	5.44	57.84	1.00	5.00	6.25		2	#32 SAE	1½	(3) 3/8	(3) 3/8	2.82	1.41
EC-1272	77.78	7.75	8.75	9.38	4.50	6.25	66.97	5.44	75.84	1.00	5.00	6.25	2	#32 SAE	1½	(3) 3/8	(3) 3/8	2.82	1.41	
EC-1724	31.61	10.50	11.50	12.50	5.75	8.50	18.75	7.06	28.81	2.08	7.00	8.25	.62 x .88 Slot	3	N/A	2	(3) 3/8	(3) 3/8	4.25	1.41
EC-1736	43.61	10.50	11.50	12.50	5.75	8.50	30.75	7.06	40.81	2.08	7.00	8.25		3	N/A	2	(3) 3/8	(3) 3/8	4.25	1.41
EC-1754	61.61	10.50	11.50	12.50	5.75	8.50	48.75	7.06	58.81	2.08	7.00	8.25		3	N/A	2	(3) 3/8	(3) 3/8	4.25	1.41
EC-1772	79.61	10.50	11.50	12.50	5.75	8.50	66.75	7.06	76.81	2.08	7.00	8.25		3	N/A	2	(3) 3/8	(3) 3/8	4.25	1.41
EC-1784	91.61	10.50	11.50	12.50	5.75	8.50	78.75	7.06	88.81	2.08	7.00	8.25		3	N/A	2	(3) 3/8	(3) 3/8	4.25	1.41

NOTE: All dimensions in inches. We reserve the right to make reasonable design changes without notice.

Selection Procedure

Performance Curves are based on 100SSU oil leaving the cooler 40°F higher than the incoming water temperature (40°F approach temperature).

STEP 1 Determine the Heat Load. This will vary with different systems, but typically coolers are sized to remove 25 to 50% of the input nameplate horsepower. (Example: 100 HP Power Unit x .33 = 33 HP Heat load.)
If BTU/HR is known: $HP = \frac{BTU/HR}{2545}$

STEP 2 Determine Approach Temperature.
Desired oil leaving cooler °F – Water Inlet temp. °F = $\frac{\text{Actual}}{\text{Approach}}$

STEP 3 Determine Curve Horsepower Heat Load. Enter the information from above:
 $HP \text{ heat load} \times \frac{40}{\text{Actual Approach}} \times \frac{\text{Viscosity}}{\text{Correction A}} = \text{Curve Horsepower}$

STEP 4 Enter curves at oil flow through cooler and curve horsepower. Any curve above the intersecting point will work.

STEP 5 Determine Oil Pressure Drop from Curves. Multiply pressure drop from curve by correction factor B found on oil viscosity correction curve.
● = 5 PSI ■ = 10 PSI ▲ = 20 PSI

Oil Temperature

Oil coolers can be selected by using entering or leaving oil temperatures.

Typical operating temperature ranges are:
Hydraulic Motor Oil 110°F - 130°F
Hydrostatic Drive Oil 130°F - 180°F
Lube Oil Circuits 110°F - 130°F
Automatic Transmission Fluid 200°F - 300°F

Desired Reservoir Temperature

Return Line Cooling: Desired temperature is the oil temperature leaving the cooler. This will be the same temperature that will be found in the reservoir.

Off-Line Recirculation Cooling Loop: Desired temperature is the temperature entering the cooler. In this case, the oil temperature change must be determined so that the actual oil leaving temperature can be found. Calculate the oil temperature change (Oil ΔT) with this formula:

$$\text{Oil } \Delta T = (\text{BTUs/HR}) / (\text{GPM Oil Flow} \times 210)$$

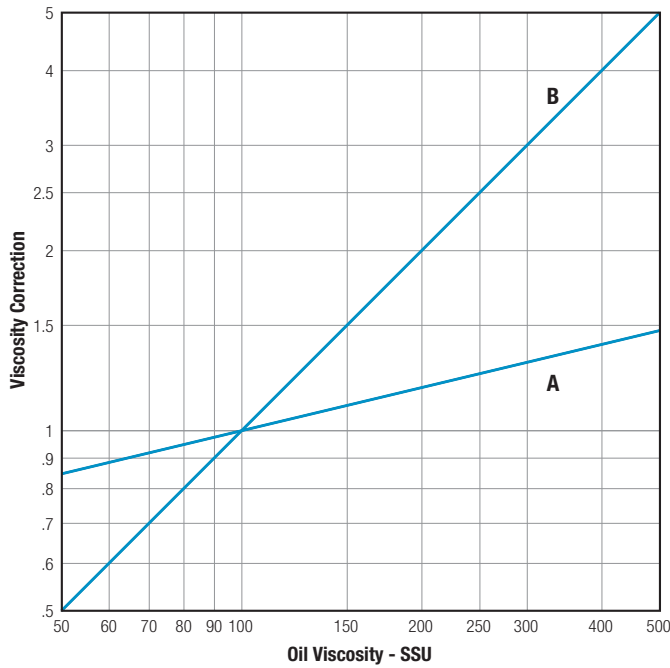
To calculate the oil leaving temperature from the cooler, use this formula:

$$\text{Oil Leaving Temperature} = \text{Oil Entering Temperature} - \text{Oil } \Delta T$$

This formula may also be used in any application where the only temperature available is the entering oil temperature.

Oil Pressure Drop: Most systems can tolerate a pressure drop through the heat exchanger of 20 to 30 PSI. Excessive pressure drop should be avoided. Care should be taken to limit pressure drop to 5 PSI or less for case drain applications where high back pressure may damage the pump shaft seals.

Oil Viscosity Correction Multipliers



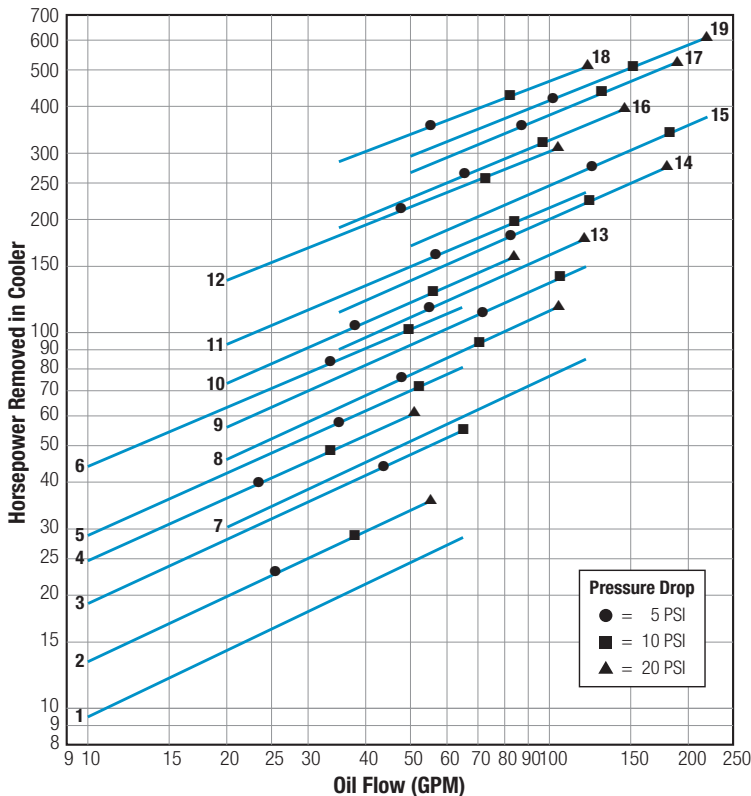
Maximum Flow Rates

Unit Size	Shell Side GPM	Tube Side GPM		
		One Pass	Two Pass	Four Pass
1000	70	65	32	16
1200	120	120	60	30
1700	250	220	110	65

Incorrect installation can cause premature failure.

Performance Curves

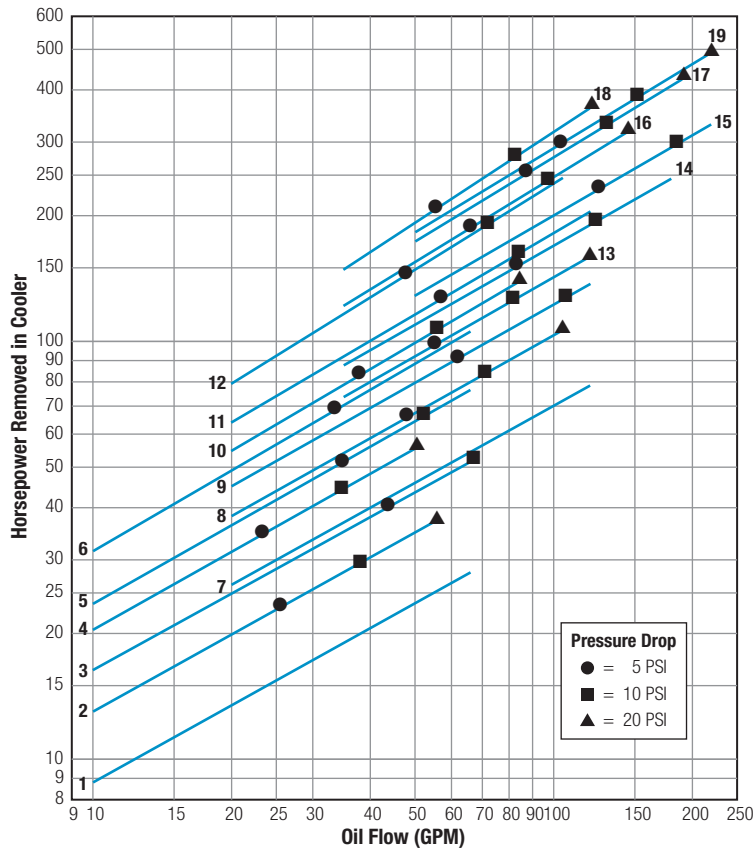
1:1 Oil to Water Ratio – High Water Usage



Curve Number	Model	Approximate Weight (LBS)	
		Net	Shipping
1	EC-1014-7-0	28	28
2	EC-1014-4-0	28	28
3	EC-1024-6-0	45	45
4	EC-1024-4-0	45	45
5	EC-1036-6-0	66	66
6	EC-1054-7-0	105	105
7	EC-1224-12-0	98	98
8	EC-1224-6-0	98	98
9	EC-1236-9-0	125	125
10	EC-1236-6-0	125	125
11	EC-1254-9-0	155	155
12	EC-1272-9-0	210	210
13	EC-1724-6-0	145	145
14	EC-1736-9-0	201	201
15	EC-1754-14-0	275	275
16	EC-1754-9-0	275	275
17	EC-1772-12-0	330	330
18	EC-1772-9-0	330	330
19	EC-1784-14-0	390	390

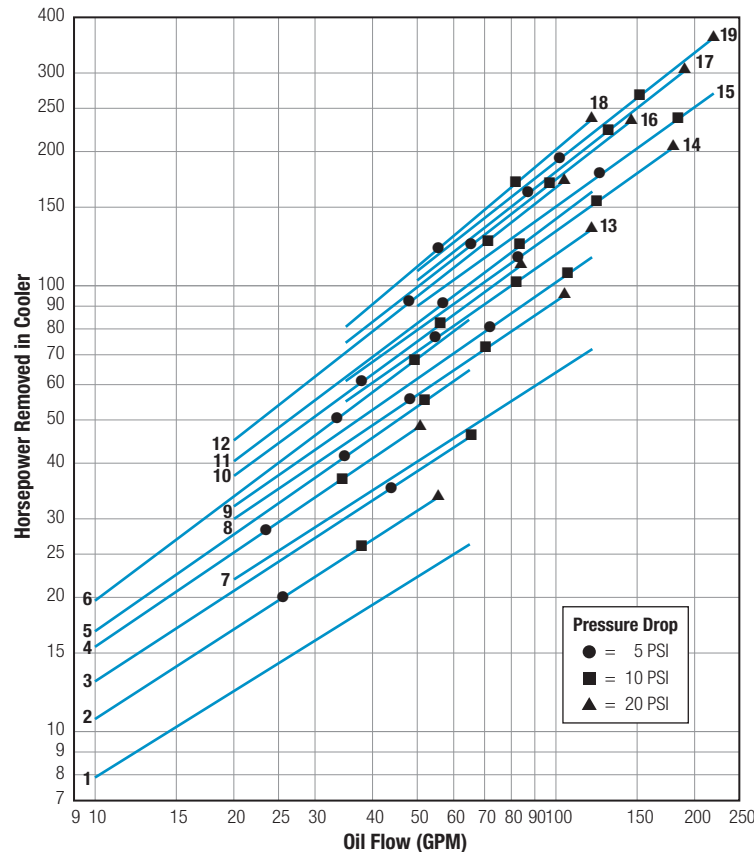
Performance Curves

2:1 Oil to Water Ratio – Medium Water Usage



Curve Number	Model	Approximate Weight (LBS)	
		Net	Shipping
1	EC-1014-7-T	28	32
2	EC-1014-4-T	28	32
3	EC-1024-6-T	45	50
4	EC-1024-4-T	45	50
5	EC-1036-6-T	66	70
6	EC-1054-7-T	105	140
7	EC-1224-12-T	98	105
8	EC-1224-6-T	98	105
9	EC-1236-9-T	125	145
10	EC-1236-6-T	125	145
11	EC-1254-9-T	155	185
12	EC-1272-9-T	210	250
13	EC-1724-6-T	145	175
14	EC-1736-9-T	201	235
15	EC-1754-14-T	275	305
16	EC-1754-9-T	275	305
17	EC-1772-12-T	330	380
18	EC-1772-9-T	330	380
19	EC-1784-14-T	390	450

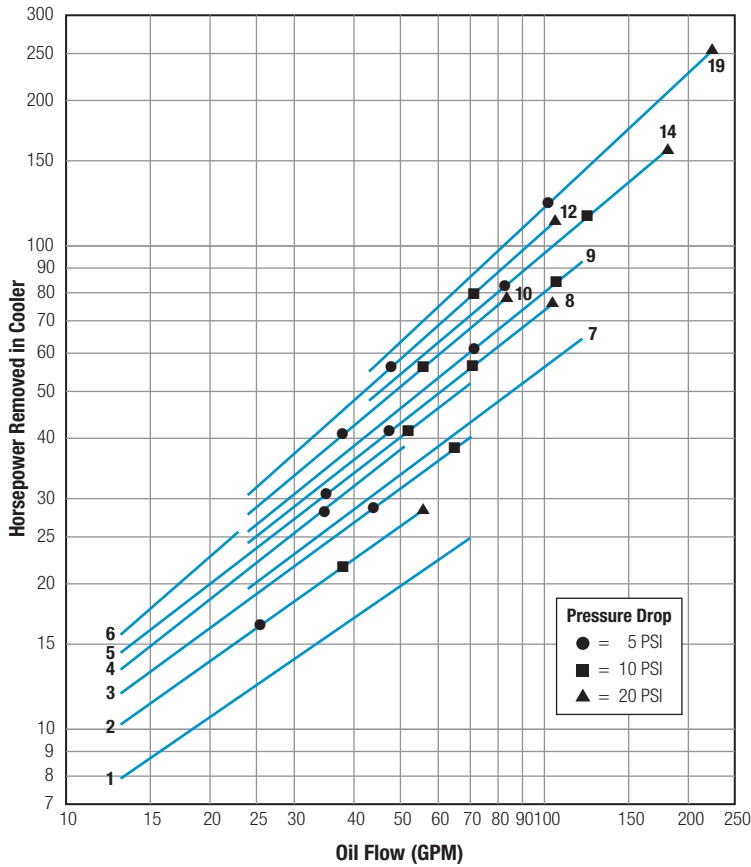
4:1 Oil to Water Ratio – Low Water Usage



Curve Number	Model	Approximate Weight (LBS)	
		Net	Shipping
1	EC-1014-7-F	28	32
2	EC-1014-4-F	28	32
3	EC-1024-6-F	45	50
4	EC-1024-4-F	45	50
5	EC-1036-6-F	66	70
6	EC-1054-7-F	105	140
7	EC-1224-12-F	98	105
8	EC-1224-6-F	98	105
9	EC-1236-9-F	125	145
10	EC-1236-6-F	125	145
11	EC-1254-9-F	155	180
12	EC-1272-9-F	210	250
13	EC-1724-6-F	145	175
14	EC-1736-9-F	201	235
15	EC-1754-14-F	275	305
16	EC-1754-9-F	275	305
17	EC-1772-12-F	330	380
18	EC-1772-9-F	330	380
19	EC-1784-14-F	390	450

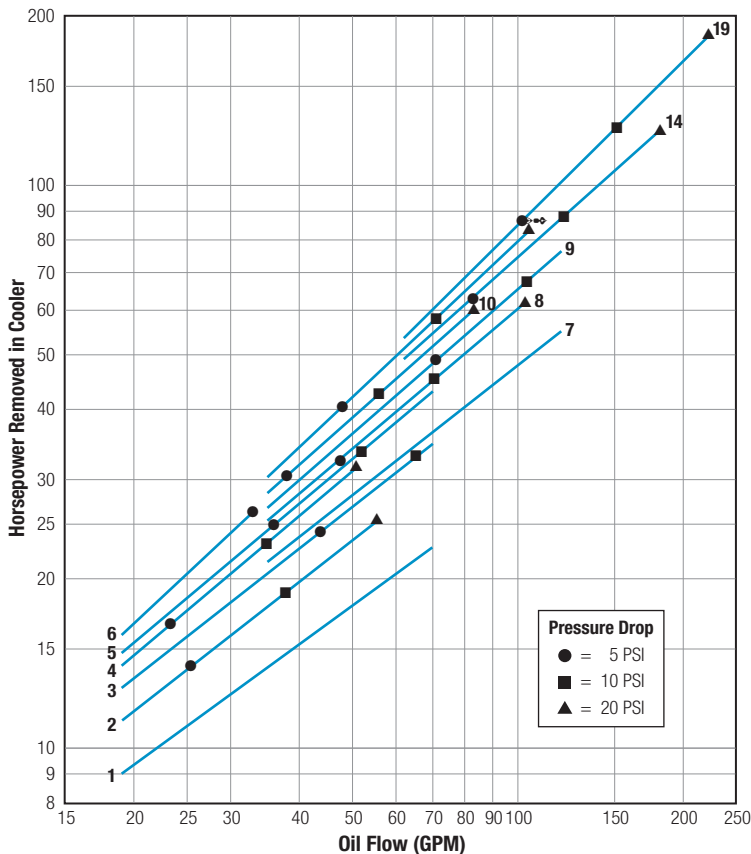
Performance Curves

7:1 Oil to Water Ratio – Lower Water Usage



Curve Number	Model	Approximate Weight (LBS)	
		Net	Shipping
1	EC-1014-7-F	28	32
2	EC-1014-4-F	28	32
3	EC-1024-6-F	45	50
4	EC-1024-4-F	45	50
5	EC-1036-6-F	66	70
6	EC-1054-7-F	105	140
7	EC-1224-12-F	98	105
8	EC-1224-6-F	98	105
9	EC-1236-9-F	125	145
10	EC-1236-6-F	125	145
12	EC-1254-9-F	210	250
14	EC-1736-9-F	201	235
19	EC-1784-14-F	390	450

10:1 Oil to Water Ratio – Low Water Usage



Curve Number	Model	Approximate Weight (LBS)	
		Net	Shipping
1	EC-1014-7-F	28	32
2	EC-1014-4-F	28	32
3	EC-1024-6-F	45	50
4	EC-1024-4-F	45	50
5	EC-1036-6-F	66	70
6	EC-1054-7-F	105	140
7	EC-1224-12-F	98	105
8	EC-1224-6-F	98	105
9	EC-1236-9-F	125	145
10	EC-1236-6-F	125	145
12	EC-1254-9-F	210	250
14	EC-1736-9-F	201	235
19	EC-1784-14-F	390	450