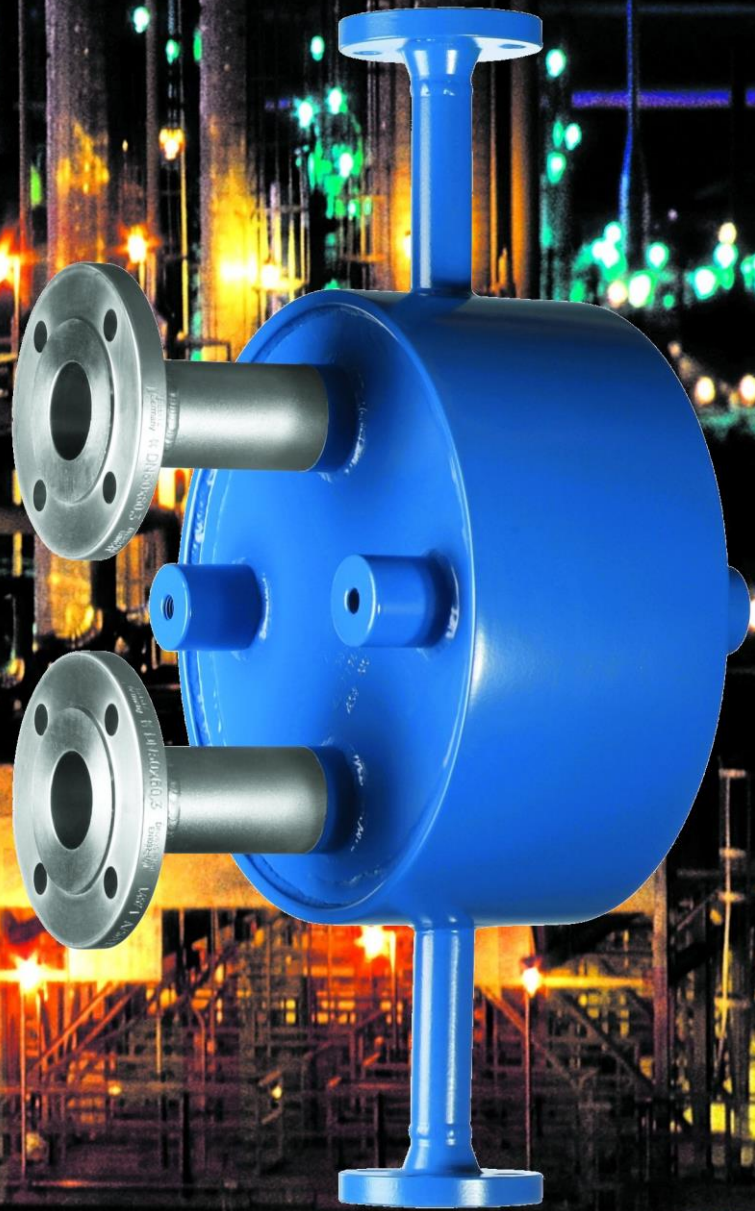


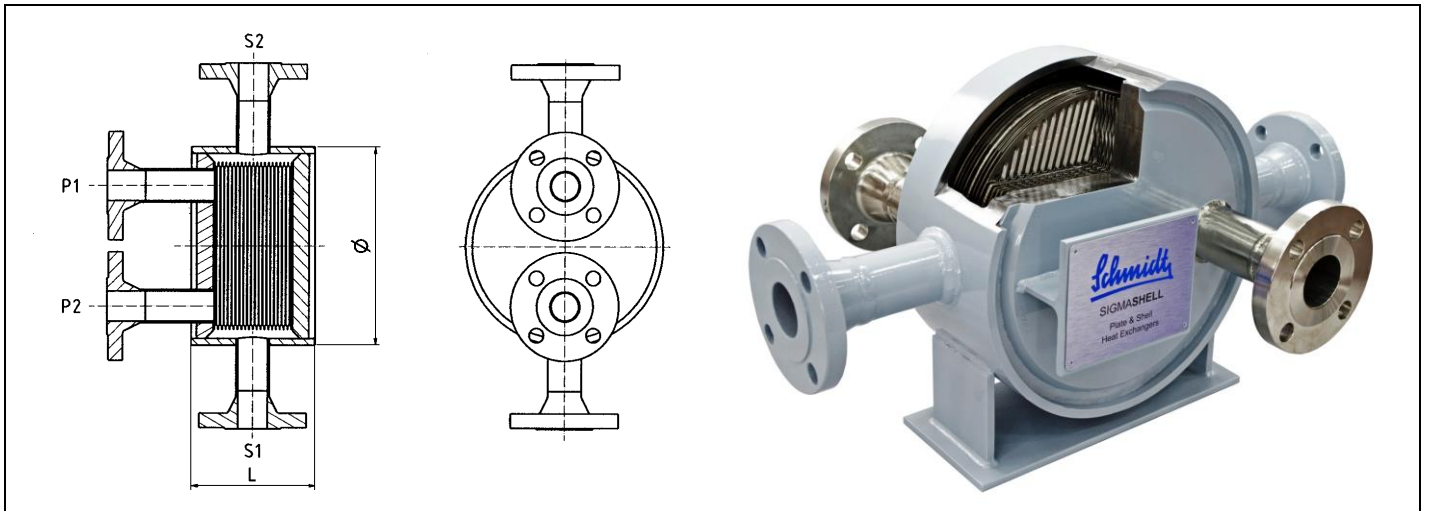
*Schmidt*



**SIGMASHELL**  
ALL-WELDED  
PLATE HEAT  
EXCHANGER

**API** HEAT  
TRANSFER 

PERFORMANCE IS EVERYTHING



SIGMASHELL	SP 3	SP 5	SP 7	SP 9	SP 12
S1, S2	DN 20 – 100	DN 25 - 250	DN 50 - 350	DN 50 - 450	DN 50 – 600
P1, P2	DN 50	DN 100	DN 150	DN 200	DN 300
Ø [mm]	360	610	890	1.100	1.400
L [mm]	from 150 (dependent on number of plates and pressure range)				up to 2.400
Surface [m <sup>2</sup> ]	1,5 to 30	up to 100	up to 320	up to 500	up to 700

- Laser-welded plate heat exchanger for thermal treatment of liquids, vapour and gas.
- Heat transfer surface up to 700 m<sup>2</sup> per unit.
- Applicable in all industrial sectors like chemical & petrochemical industry, pharmaceutical industry, renewable energies, bio energy, power generation, pulp & paper, steel mills and coking plants.
- Limitation of use:
  - Operating pressure from vacuum up to 150 barg
  - Operating temperature from -200°C up to 550°C
  - Viscosities up to 8.000 mPas
- Available in all current plate materials.
- Shell construction: all welded or accessible to one or two sides.
- Multi-pass possible for shell and plate side.
- Calculation can be done for counter-current flow, co-current flow and cross flow.
- Fishbone corrugation pattern for high and low heat transfer characteristics.

2016