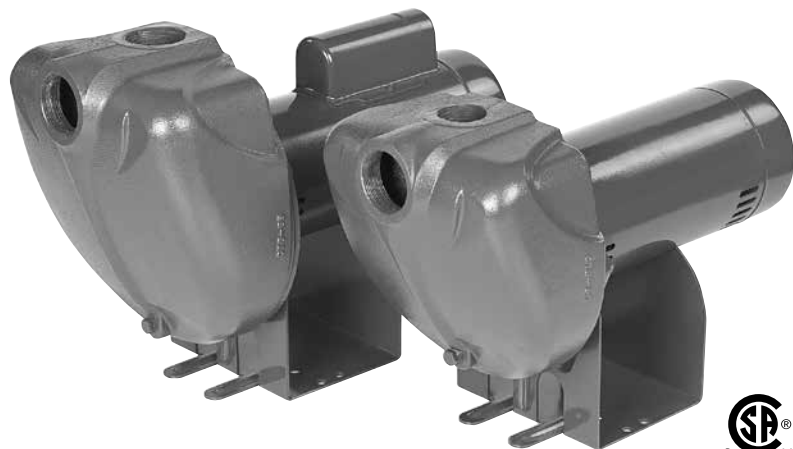


BERKELEY® LTHH Series

Self-priming centrifugal



The LTHH Series* of cast iron self-priming pumps offers superior unmatched performance, available in 1 HP through 2-1/2 HP models.

The LTHH models offer “single-body-fill” priming to 25-foot lifts, in less than 5 minutes!

The LTHH models exceed the strict safety requirements of Underwriters Laboratories UL778, and CSA. Required by many state and local codes.

The LTHH models are completely interchangeable with the original

LTH Series models, saving costly plumbing “change-out” dollars and installation headaches!

*Single- and three-phase available

APPLICATIONS

Water Reclaim
Filtration
Sump Dewatering
Self-Priming Booster
Transfer

SPECIFICATIONS

Body and Seal Plate: Close-grained cast iron

Impeller: Noryl®

Diffuser: Reinforced polypropylene

Shaft: One-piece threaded 300 grade stainless steel

Base: Steel, 10 gauge

Motor: 2-compartment

FEATURES

Rugged Construction: Close-grained cast iron body, specially treated for corrosion resistance.

Noryl Impeller: Precision-molded for perfect balance...ultra-smooth for highest performance and efficiency.

Precision-Molded Diffuser: Pump primes faster, handles more air, with multi-port, precision-molded, reinforced polypropylene diffuser.

High Head Models: Deliver up to 145' of head with capacities to 95 GPM.

Easy Serviceability: Normal wearing parts are easily accessible for service and replacement, without disturbing piping or mounting.

Motor Windings: Superior insulation materials protect against excessive moisture and contaminants...ensures prolonged motor life.

Balanced Rotor: Diecast under high pressures for uniform performance and greater efficiency, dynamically balanced.

Drain Port: Provided for easy winterizing.

Max. Operating Pressure: 100 PSI

ORDERING INFORMATION

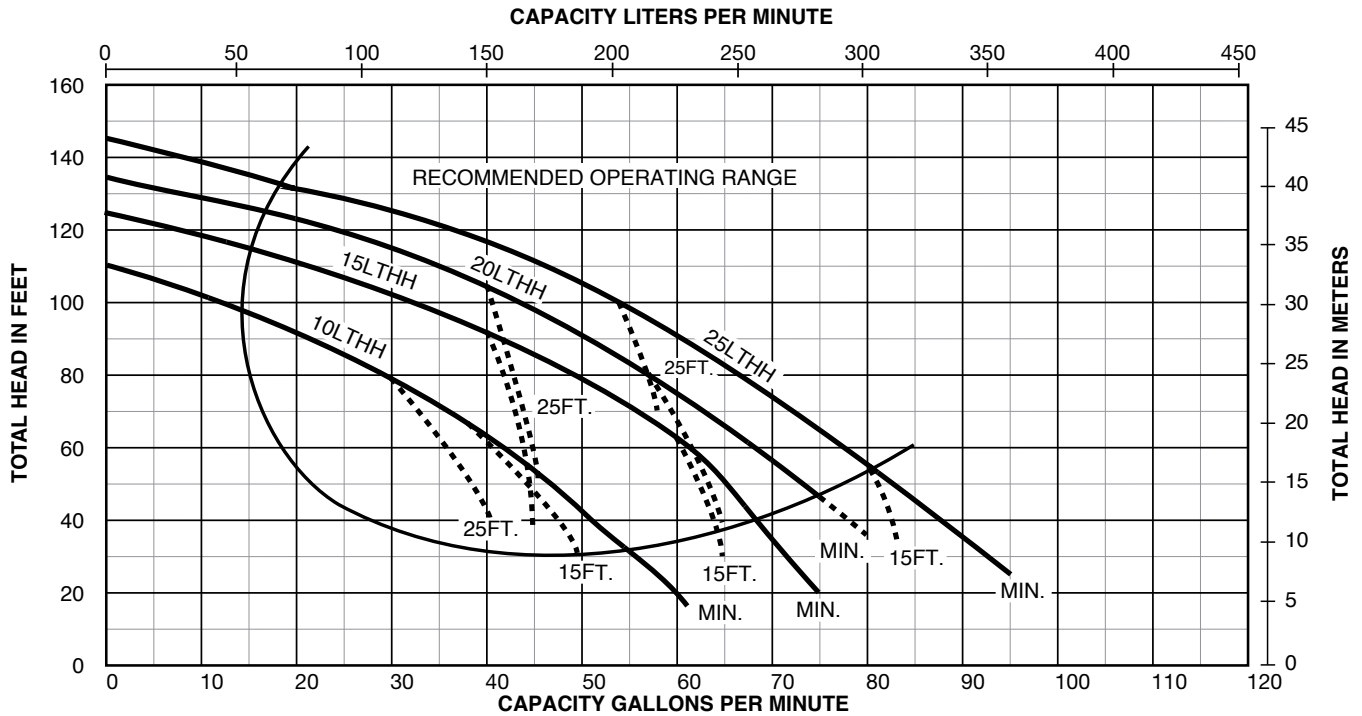
Catalog Number	HP	Voltage	Phase	High Head		Approx. Wt. Lbs.
				Pipe Tapping Sizes		
				Suction	Discharge	
10LTHH	1	115/230	1	2"	1-1/2"	52
10LTHH3	1	208-230/460	3	2"	1-1/2"	52
10LTHH3-575T	1	115/230	3	2"	1-1/2"	57
15LTHH	1-1/2	208-230/460	1	2"	1-1/2"	58
15LTHH3	1-1/2	115/230	3	2"	1-1/2"	58
15LTHH3-575T	1-1/2	208-230/460	3	2"	1-1/2"	63
20LTHH	2	115/230	1	2"	2"	83
20LTHH3	2	208-230/460	3	2"	2"	83
20LTHH3-575T	2		3	2"	2"	88
25LTHH	2-1/2		1	2"	2"	85
25LTHH3	2-1/2		3	2"	2"	85
25LTHH3-575T	2-1/2		3	2"	2"	90

NOTE: All single-phase motors shipped from the factory set at 230 volt.

BERKELEY® LTHH Series

Self-priming centrifugal

PUMP PERFORMANCE



NOTE: Dotted lines indicate performance reduction at high suction lift.

PUMP PERFORMANCE (Capacity in gallons per minute)

Catalog Number	HP	Discharge Pressure		Suction Lift in Feet				
		PSI	Feet Head	5'	10'	15'	20'	25'
10LTHH	1	20	46.2	48	45	40	37	33
		30	69.3	33	30	26	22	16
		40	92.4	15	10	—	—	—
15LTHH	1-1/2	20	46.2	64	62	60	57	54
		30	69.3	53	50	46	42	37
		40	92.4	35	30	25	19	—
20LTHH	2	20	46.2	72	70	67	65	62
		30	69.3	60	58	54	51	47
		40	92.4	45	42	37	30	27
		50	115.5	23	16	—	—	—
25LTHH	2-1/2	20	46.2	83	80	77	74	71
		30	69.3	70	67	63	60	55
		40	92.4	56	52	48	40	35
		50	115.5	36	28	20	—	—

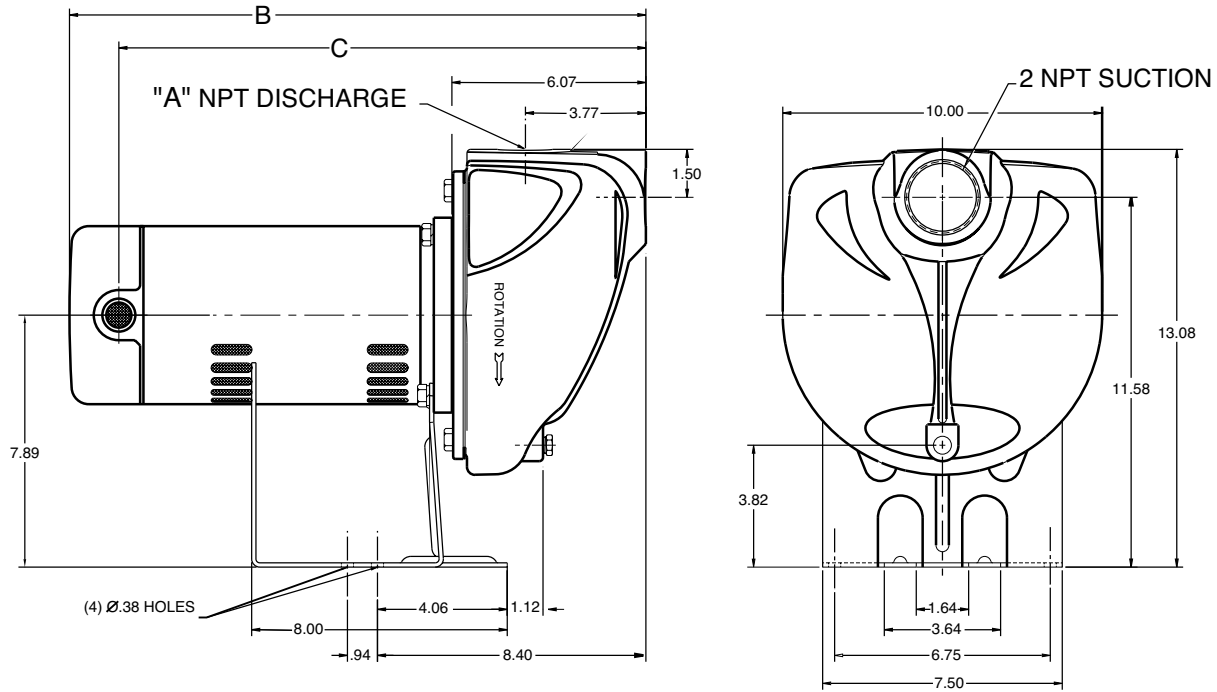
Tested and rated in accordance with Water Systems Council Standards.

NOTE: Pumps installed with a Pro-Source® tank require a 100 PSI relief valve. Pumps installed with a conventional tank require a 75 PSI relief valve. Relief valve must be capable of relieving entire flow of pump at relief pressure.

BERKELEY® LTHH Series

Self-priming centrifugal

OUTLINE DIMENSIONS



Catalog Number	A NPT	B	C
10LTHH	1-1/2" NPT	17.04	16.57
10LTHH3	1-1/2" NPT	15.45	15.04
10LTHH3-575T	1-1/2" NPT	17.35	13.29
15LTHH	1-1/2" NPT	18.10	17.63
15LTHH3	1-1/2" NPT	15.95	15.45
15LTHH3-575T	1-1/2" NPT	18.60	14.54
20LTHH	2" NPT	18.54	18.38
20LTHH3	2" NPT	18.22	16.75
20LTHH3-575T	2" NPT	16.95	14.85
25LTHH	2" NPT	18.85	18.69
25LTHH3	2" NPT	17.69	17.50
25LTHH3-575T	2" NPT	18.91	14.85

Dimensions (in inches) are for estimating purposes only.



US: 293 WRIGHT STREET, DELAVAN, WI 53115 WWW.BERKELEYPUMPS.COM PH: 888-782-7483 ORDERS FAX: 800-426-9446
CANADA: 490 PINEBUSH ROAD, UNIT 4, CAMBRIDGE, ONTARIO N1T 0A5 PH: 800-363-7867 ORDERS FAX: 888-606-5484
Because we are continuously improving our products and services, Pentair reserves the right to change specifications without prior notice.