

# MYERS® Quick Prime Self-Priming Centrifugal Pump



200 East Big Beaver Road  
Troy, MI 48083  
P: (248) 752-2620  
E: Sales@oemsalesinc.com

The Quick Prime self-priming centrifugal pump is designed for demanding jobs where a lot of water is required over a long period of time. For lawn and garden sprinkling, car washing, or other big cleaning and maintenance jobs, it's built for one purpose only – continuous high performance service. Not for use with corrosive chemicals or flammable liquids.

## APPLICATIONS

- **Water systems...** lawn and gardening sprinkling, car washing, or other big cleaning and maintenance jobs

## SPECIFICATIONS

- High tensile gray iron pump case and motor bracket
- Square rubber sealing rings
- Proven thermoset diffuser
- Engineered composite impeller
- Carbon/ceramic shaft seal



## FEATURES

**Ruggedly Built** – To meet the demands for long, hard continuous service without over-working or overloading the motor.

**Manufactured** – To precise performance specifications.

**Impellers** – Corrosion resistant for long life.

**Simply Design** – Powerful, efficient operation and easy servicing.

**Proper Impeller Alignment** – For smooth, quiet running.

**Unique Diffuser Design** – For quick automatic prime. No additional water needed for repriming after installation.

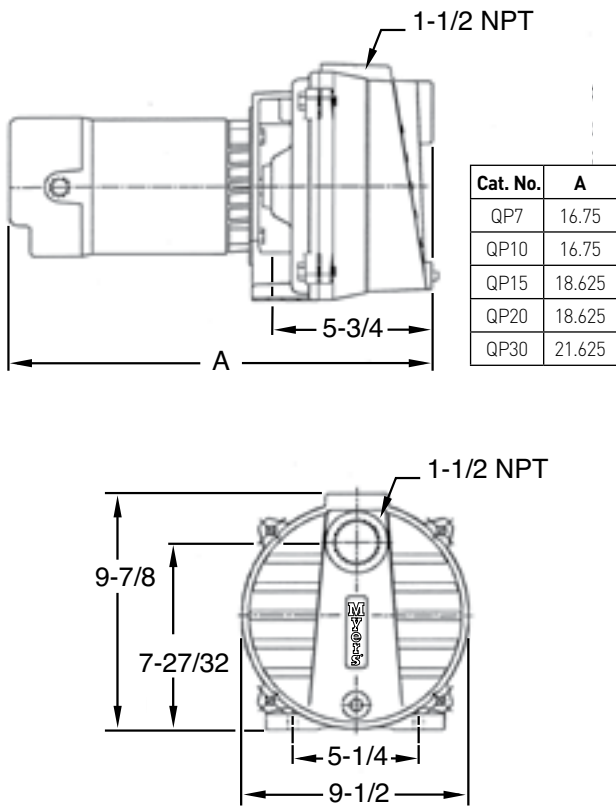
**Common Brackets** – Cases and gaskets on all sizes... simplified parts selection.

## ORDERING INFORMATION

Catalog Number		HP	Pipe Sizes		Maximum Total Shut-Off Hd.		1 and 3 Ø Approx. Wt. Lbs.
1 Phase	3 Phase		Suct.	Disch.	Feet	PSI	
QP7	QP7-3	3/4	1-1/2"	1-1/2"	105	45.5	58
QP10	QP10-3	1	1-1/2"	1-1/2"	108	47	61
QP15	QP15-3	1-1/2	1-1/2"	1-1/2"	111	48	68
QP20	QP20-3	2	1-1/2"	1-1/2"	116	50	74
QP30	QP30-3	3	1-1/2"	1-1/2"	121	52	87

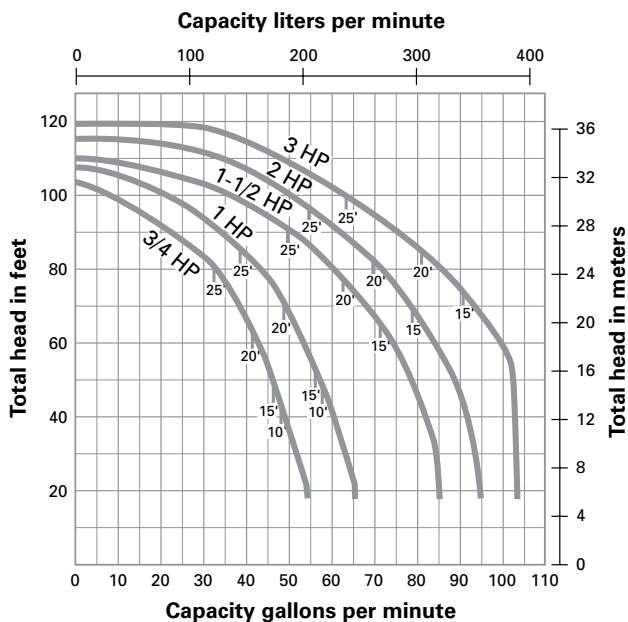
# MYERS® Quick Prime Self-Priming Centrifugal Pump

## OUTLINE DIMENSIONS



Dimensions (in inches) are for estimating purposes only.

## PUMP PERFORMANCE



## PUMP PERFORMANCE

Catalog Number		HP	Disch. Pressure PSI	Capacity in GPM for Discharge Pressure and Total Suction Lift Indicated			
1 Phase	3 Phase			10 Ft.	15 Ft.	20 Ft.	25 Ft.
QP7	QP7-3	3/4	20	40.75	38.1	36.1	33.2
			25	35.75	33.5	30.9	27.5
			30	30.75	27.25	23.1	18
			35	21.5	15.1	8.5	
			40	6.5			
QP10	QP10-3	1	20	51.2	48.9	46.4	39.25
			25	46.2	43.5	40.6	37.4
			30	40.5	37.5	33.6	29.2
			35	33	27.6	20.6	10
			40	19	5		
QP15	QP15-3	1-1/2	20	71.6	69.4	63.4	50.25
			25	66.5	62.5	58.75	50.25
			30	59.5	55	50.5	45
			35	50.5	43.6	37	24.9
			40	36.8	25.9		
QP20	QP20-3	2	20	78.9	76.6	70.5	55.5
			25	74.6	71.5	67	55.5
			30	68.5	63.5	58.4	53
			35	58.5	52.9	47	40
			40	47.5	40.5	32.5	
QP30	QP30-3	3	20	93	91	82	64
			25	92.9	91	82	64
			30	89.8	85.5	78.6	64
			35	81	73.3	65.6	57
			40	67.9	59.1	48.5	37.5
			45	47.9	30		

NOTE: Single phase units are dual voltage (115/230 volt) 2 and 3 HP are 230 volt only.

NOTE: All units are loaded within the motor service factor and are rated for continuous operation.

