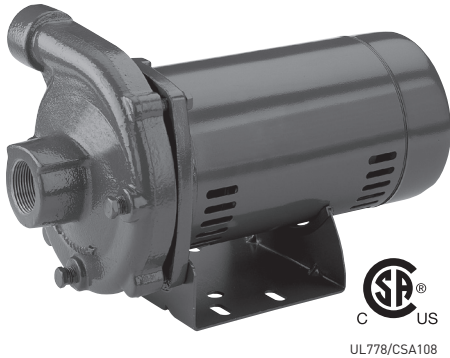


J/JB Series

General Purpose Centrifugal Pumps



The J/JB Series Pumps feature heavy-duty cast iron construction and are offered in high and medium head models, with Noryl® or silicon bronze impellers.

APPLICATIONS

Water Conditioning & Treatment
Water-System Booster
Water Heating Systems
General Transfer
Utility

SPECIFICATIONS

Volute and Seal Plate: close-grained cast iron

Impellers: J Series = Noryl; JB Series = silicon bronze

Base Plate: 12 gauge stamped steel

Motor Shaft: 300 series stainless steel

Mechanical Seal: Carbon ceramic faces, BUNA-N cup and bellows

SERIES FEATURES

1/2hp through 2-1/2hp: high head and medium head models, heavy-duty motors, easy serviceability, and four-position discharge

Drain Port: provided for easy winterizing

Performance Range, High Head Models: up to 150'+ of head, with capacities to over 100 gpm.

Performance Range, Medium Head Models: up to 100'+ of head, with capacities to over 110 gpm.

Easy Serviceability: all models feature a replaceable wear ring, and a back pull-out design

J Series - Noryl Impellers: abrasion resistant for normal applications and working temperatures to 140 F

JB Series - Silicon Bronze Impellers: include shaft seals rated for working temperatures to 225 F

ORDERING INFORMATION

HIGH HEAD

CATALOG NUMBER		HP	PIPE TAPPING SIZES		MOTOR VOLTAGE	PHASE	APPROX. WT. LBS.
NORYL IMPELLER	SILICON BRONZE IMPELLER		SUCT.	DISCH.			
JHC	JBHC	1/2	1-1/4"	1"	115/230	1	39
JHC3	JBHC3		1-1/4"	1"	208-230/460	3	39
JHD	JBHD	3/4	1-1/4"	1"	115/230	1	42
JHD3	JBHD3		1-1/4"	1"	208-230/460	3	42
JHE	JBHE	1	1-1/4"	1"	115/230	1	45
JHE3	JBHE3		1-1/4"	1"	208-230/460	3	45
JHF	JBHF	1-1/2	1-1/4"	1"	115/230	1	49
JHF3	JBHF3		1-1/4"	1"	208-230/460	3	49
JHG	JBHG	2	1-1/2"	1-1/4"	115/230	1	69
JHG3	JBHG3		1-1/2"	1-1/4"	208-230/460	3	69
JHHG	JBHHG	2-1/2	2"	1-1/2"	115/230	1	74
JHHG3	JBHHG3		2"	1-1/2"	208-230/460	3	74

ORDERING INFORMATION

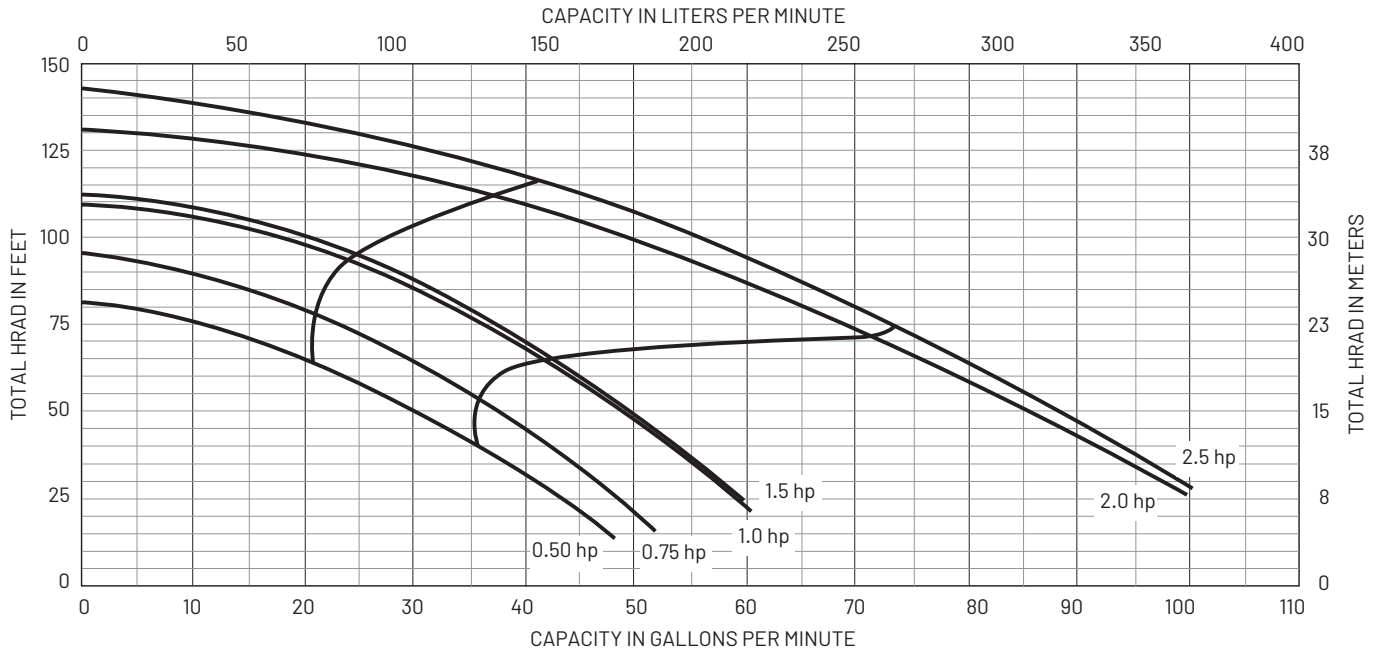
MEDIUM HEAD

CATALOG NUMBER		HP	PIPE TAPPING SIZES		MOTOR VOLTAGE	PHASE	APPROX. WT. LBS.
NORYL IMPELLER	SILICON BRONZE IMPELLER		SUCT.	DISCH.			
JMC	JBMC	1/2	1-1/4"	1"	115/230	1	39
JMC3	JBMC3		1-1/4"	1"	208-230/460	3	39
JMD	JBMD	3/4	1-1/4"	1"	115/230	1	42
JMD3	JBMD3		1-1/4"	1"	208-230/460	3	42
JME	JBME	1	1-1/2"	1-1/4"	115/230	1	43
JME3	JBME3		1-1/2"	1-1/4"	208-230/460	3	43
JMF	JBMF	1-1/2	1-1/2"	1-1/4"	115/230	1	54
JMF3	JBMF3		1-1/2"	1-1/4"	208-230/460	3	54
JMG	JBMG	2	1-1/2"	1-1/4"	115/230	1	66
JMG3	JBMG3		1-1/2"	1-1/4"	208-230/460	3	66
-	JBMMG	2-1/2	2"	1-1/2"	115/230	1	74
-	JBMMG3		2"	1-1/2"	208-230/460	3	74

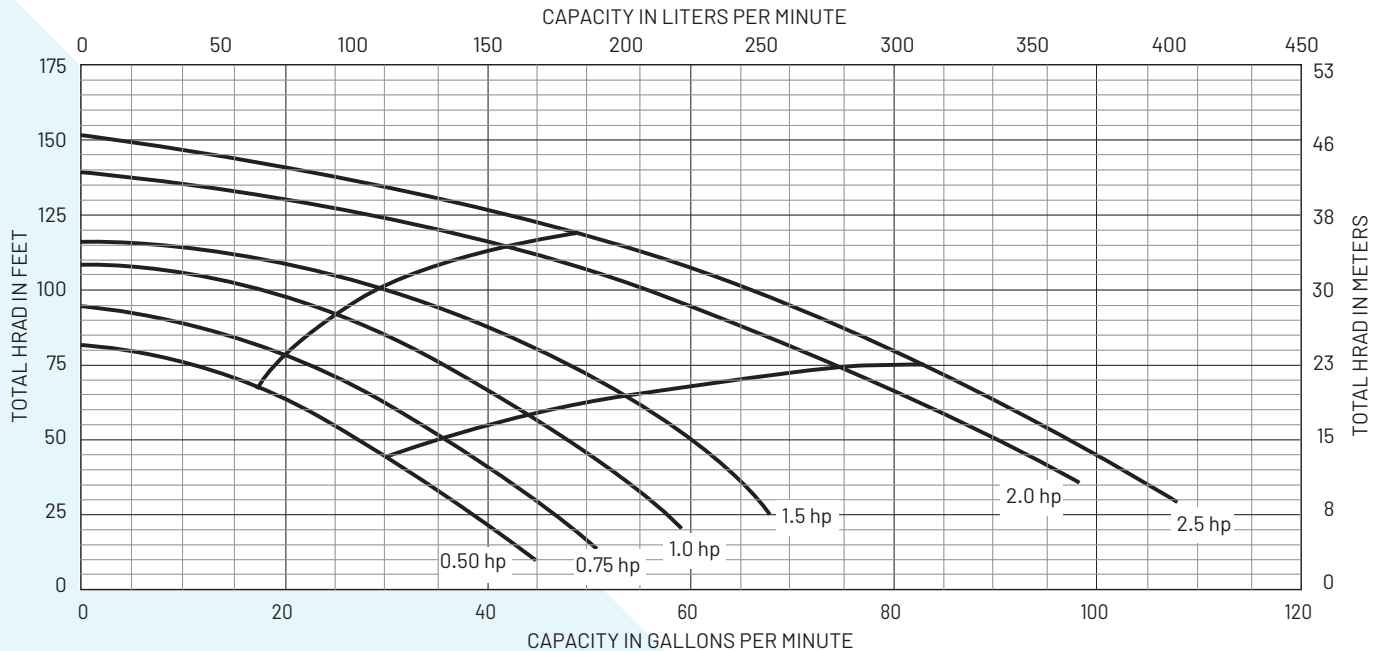
J/JB Series

General Purpose Centrifugal Pumps

PUMP PERFORMANCE: HIGH HEAD, SILICON BRONZE IMPELLER



PUMP PERFORMANCE: HIGH HEAD, NORYL® IMPELLER



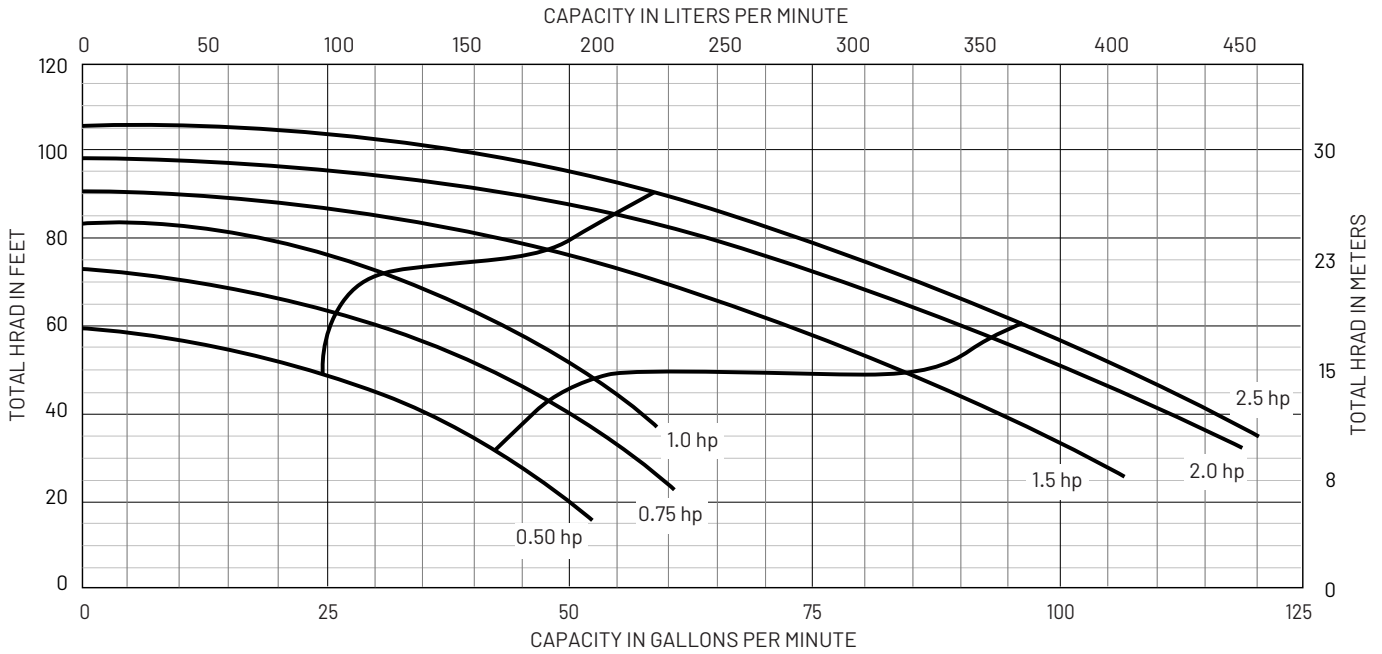
Tested and rated in accordance with Water Systems Council Standards.

NOTE: Pumps installed with a Pro-Source tank require a 100 PSI relief valve. Pumps with a conventional tank require a 75 PSI relief valve. Relief valve must be capable of relieving entire flow of pump at relief pressure.

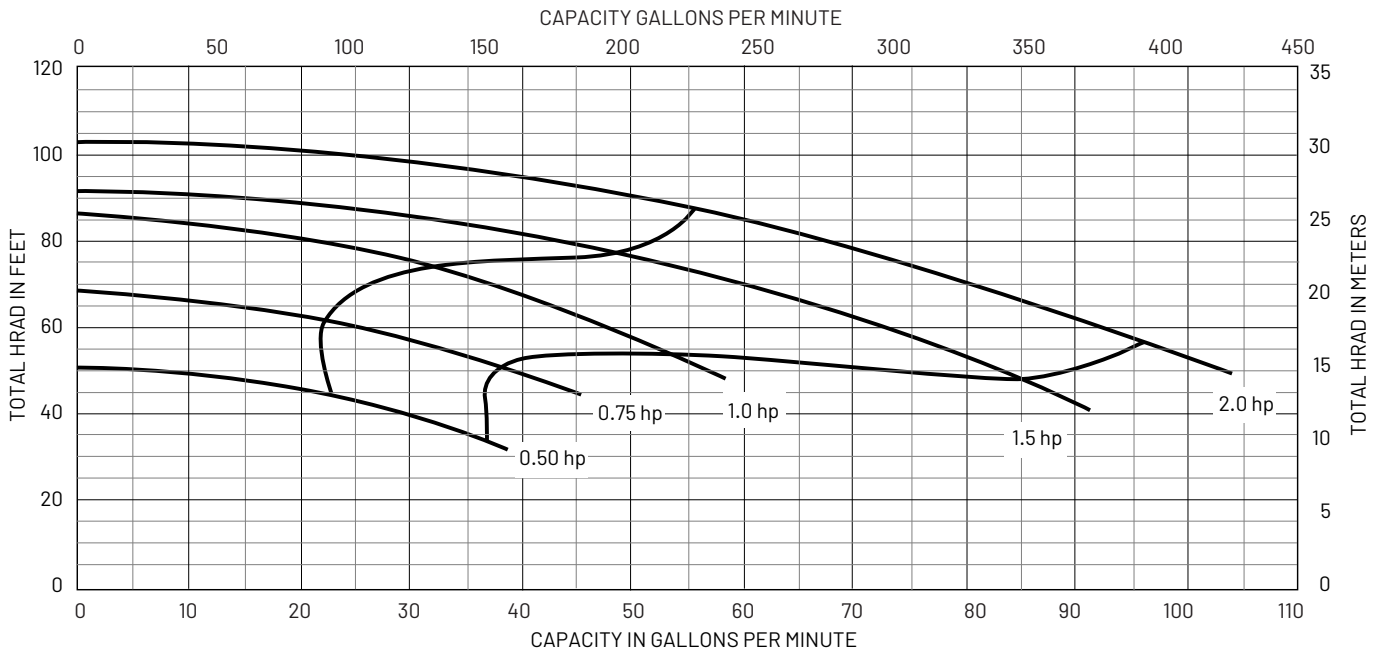
J/ JB Series

General Purpose Centrifugal Pumps

PUMP PERFORMANCE: MEDIUM HEAD, SILICON BRONZE IMPELLER



PUMP PERFORMANCE: MEDIUM HEAD, NORYL® IMPELLER



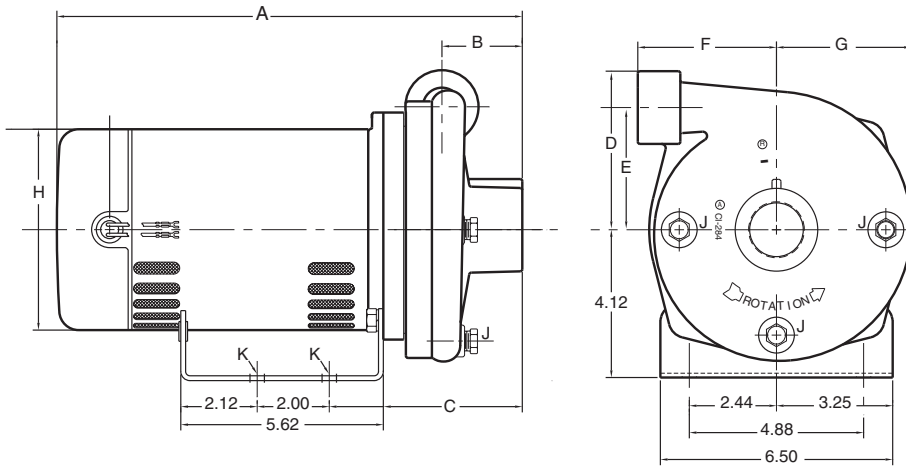
Tested and rated in accordance with Water Systems Council Standards.

NOTE: Pumps installed with a Pro-Source[®] tank require a 100 PSI relief valve. Pumps with a conventional tank require a 75 PSI relief valve. Relief valve must be capable of relieving entire flow of pump at relief pressure.

J/ JB Series

General Purpose Centrifugal Pumps

OUTLINE DIMENSIONS



Dimensions (in inches) are for estimating purposes only.

DIMENSIONS (IN INCHES)

HIGH HEAD

HP	NPT SUCT.	NPT DISCH.	A (1 PHASE)	A (3 PHASE)	B	C	D	E	F	G	H	NPT J	K
1/2	1-1/4	1	11-21/32	13-3/8	2-1/16	5-9/16	4-1/2	3-7/16	3-7/8	3-15/16	5-5/8	1/4	3/8 Dia.
3/4	1-1/4	1	11-25/32	13-3/8	2-1/16	5-9/16	4-1/2	3-7/16	3-7/8	3-15/16	5-5/8	1/4	3/8 Dia.
1	1-1/4	1	12-25/32	13-7/8	2-1/16	5-9/16	4-1/2	3-7/16	3-7/8	3-15/16	5-5/8	1/4	3/8 Dia.
1-1/2	1-1/4	1	13-39/64	14-3/8	2-1/16	5-9/16	4-1/2	3-7/16	3-7/8	3-15/16	5-5/8	1/4	3/8 Dia.
2	1-1/2	1-1/4	16-3/4	16-15/16	2-13/16	6-5/16	4-27/32	3-13/32	4-5/8	4	6-7/16	1/4	3/8 Dia.
2-1/2	2	1-1/2	17-3/4	17-1/4	2-13/16	6-5/16	4-27/32	3-13/32	4-5/8	4	6-7/16	1/4	3/8 Dia.

MEDIUM HEAD

1/2	1-1/4	1	11-7/32	12-15/16	1-7/16	5-1/8	4-7/16	3-1/4	2-1/4	3-1/4	5-5/8	1/4	3/8 Dia.
3/4	1-1/4	1	11-31/32	12-15/16	1-7/16	5-1/8	4-7/16	3-1/4	2-1/4	3-1/4	5-5/8	1/4	3/8 Dia.
1	1-1/2	1-1/4	12-11/32	13-7/16	1-7/16	5-1/8	4-7/16	3-1/4	2-1/4	3-1/4	5-5/8	1/4	3/8 Dia.
1-1/2	1-1/2	1-1/4	13-25/32	14-9/16	2	5-3/4	4-13/16	3-1/2	4-1/4	3-15/16	5-5/8	1/4	3/8 Dia.
2	1-1/2	1-1/4	16-3/16	16-3/8	2	5-3/4	4-13/16	3-1/2	4-1/4	3-15/16	6-7/16	1/4	3/8 Dia.
2-1/2	2	1-1/2	17-3/16	16-11/16	2	5-3/4	4-13/16	3-1/2	4-1/4	3-15/16	6-7/16	1/4	3/8 Dia.